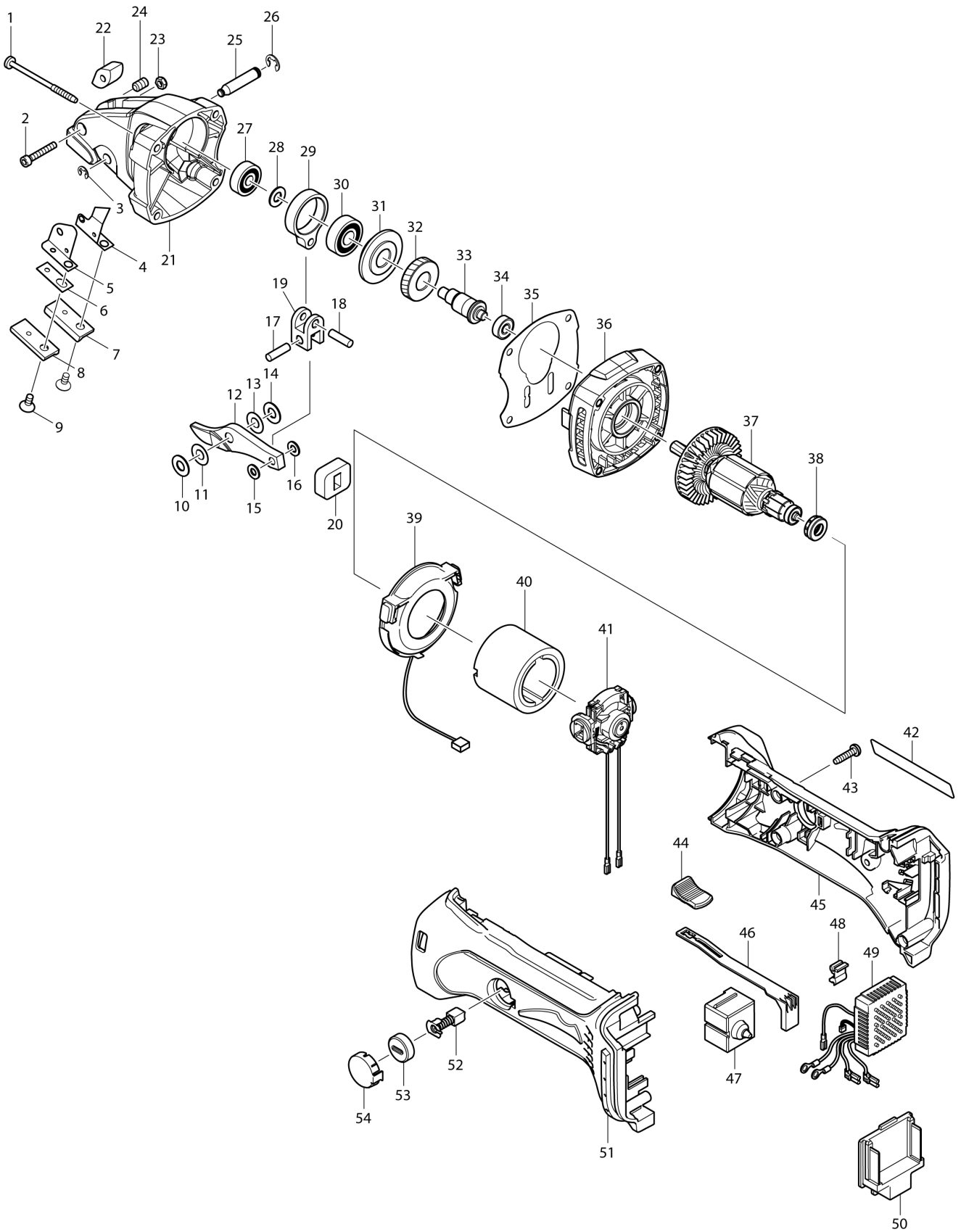


(IN) DJS161 / CORDLESS STRAIGHT SHEAR 1.6MM



IN

INDIA

DJS161 / CORDLESS STRAIGHT SHEAR 1.6MM

IN

| Item | Sub | Parts No. | Parts Description | Qty | I/C | E/C No. | Close No. | Remark |
|-------|-----|-----------|--------------------------------|-----|-----|---------|-----------|--------|
| 001 | | 266091-3 | TAPPING SCREW 4X50 | 4 | | | | |
| 002 | | 922147-9 | HEX. SOCKET HEAD BOLT M4X25 | 1 | | | | |
| 003 | | 961011-9 | STOP RING E-4 | 1 | | | | |
| 004 | | 346131-4 | SLIP PLATE R | 1 | | | | |
| 005 | | 343480-0 | SLIP PLATE L | 1 | | | | |
| 006 | | 343481-8 | SPACER | 1 | | | | |
| 007 | | 792533-6 | SIDE BLADE SET | 1 | | | | |
| 009 | | 251951-2 | HEX. SOCKET HEAD BOLT M5X10 | 2 | | | | |
| 010 | | 261065-9 | FLUORORESIN WASHER 7 | 1 | | | D6230 | |
| 010-1 | | 261065-9 | FLUORORESIN WASHER 7 | 1 | O | D6230 | | |
| 011 | | 253338-4 | THIN WASHER 7 | 1 | | | | |
| 012 | | 792534-4 | CENTER BLADE | 1 | | | | |
| 013 | | 253338-4 | THIN WASHER 7 | 1 | | | | |
| 014 | | 261065-9 | FLUORORESIN WASHER 7 | 1 | | | D6230 | |
| 014-1 | | 261065-9 | FLUORORESIN WASHER 7 | 1 | O | D6230 | | |
| 015 | | 267010-2 | FLAT WASHER 5 | 1 | | | | |
| 016 | | 267010-2 | FLAT WASHER 5 | 1 | | | | |
| 017 | | 256155-1 | PIN 5 | 1 | | | | |
| 018 | | 256155-1 | PIN 5 | 1 | | | | |
| 019 | | 331329-6 | LINK | 1 | | | | |
| 020 | | 423118-4 | DUST COVER | 1 | | | | |
| 021 | | 140130-6 | CRANK HOUSING COMPLETE | 1 | | | | |
| 022 | | 325727-4 | BLOCK | 1 | | | | |
| 023 | | 252083-8 | HEX. LOCK NUT M4-7 | 1 | | | | |
| 024 | | 266085-8 | H.S.SET SCREW(FLAT POINT)M6X10 | 1 | | | | |
| 025 | | 256733-7 | PIN 7 | 1 | | | | |
| 026 | | 961012-7 | STOP RING E-6 | 1 | | | | |
| 027 | | 210023-2 | BALL BEARING 627DDW | 1 | | | | |
| 028 | | 253133-2 | FLAT WASHER 7 | 1 | | | | |
| 029 | | 331273-7 | ROD | 1 | | | | |
| 030 | | 210067-2 | BALL BEARING 6000ZZ | 1 | | | | |
| 031 | | 325716-9 | SEALING SCREW | 1 | | | | |
| 032 | | 227716-4 | HELICAL GEAR 34 | 1 | | | | |
| 033 | | 325715-1 | CRANK SHAFT | 1 | | | | |
| 034 | | 210033-9 | BALL BEARING 696ZZ | 1 | | | | |
| 035 | | 442150-9 | GASKET | 1 | | | | |
| 036 | | 140131-4 | GEAR HOUSING COMPLETE | 1 | | | | |
| 037 | | 619249-7 | ARMATURE | 1 | | | | |
| 038 | | 421977-0 | RUBBER RING 13 | 1 | | | | |
| 039 | | 631714-6 | LED CIRCUIT | 1 | | | | |
| 040 | | 638627-2 | YOKE UNIT | 1 | | | | |
| 041 | | 638448-2 | ENDBELL COMPLETE | 1 | | | | |
| 042 | | 815T27-5 | DJS161 NAME PLATE | 1 | | | | |
| 043 | | 265995-6 | TAPPING SCREW 4X18 | 5 | | | | |
| 044 | | 419566-3 | SWITCH KNOB | 1 | | | | |
| 045 | | 187839-9 | HOUSING SET | 1 | | | | |
| | C10 | 263005-3 | RUBBER PIN 6 | 2 | | | | |
| | D10 | | INC. 51 | | | | | |
| 046 | | 419519-2 | SWITCH LEVER | 1 | | | | |
| 047 | | 650579-7 | SWITCH 1246.3223 | 1 | | | | |
| 048 | | 424026-2 | CUSHION | 1 | | | | |
| 049 | | 620243-4 | CONTROLLER | 1 | | | | |
| 050 | | 644808-8 | TERMINAL | 1 | | | | |
| 051 | | 187839-9 | HOUSING SET | 1 | | | | |
| | C10 | 263005-3 | RUBBER PIN 6 | 2 | | | | |
| | D10 | | INC. 45 | | | | | |
| 052 | | 191971-3 | CARBON BRUSH CB-430 | 1 | | | | |
| 053 | | 643929-3 | BRUSH HOLDER CAP | 2 | | | | |
| 054 | | 419518-4 | HOLDER CAP COVER | 2 | | | | |
| A01 | | 762013-6 | THICKNESS GAUGE | 1 | | | | |
| A02 | | 783201-2 | HEX. WRENCH 3 | 1 | | | | |
| | | | | | | | | |
| | | | | | | | | |
| | | | | | | | | |
| | | | | | | | | |
| | | | | | | | | |

Interchange

O : Yes

X : No

< : the new part can be substituted for the current.

> : the current part can be substituted for the new.

S : Interchangeable as a set.